



GIACOMAZZO AGOSTINO SRL

INTEGRATED PLANT SOLUTIONS



TANKS



GIACOMAZZO AGOSTINO S.R.L.

Integrated plant solutions

Giacomazzo Agostino Srl begins its activity in 1964 as a structural carpentry and pressure vessel fabricator, dedicating principally to special equipments fabrication.

In the last 10 years the company has grown in the design and fabrication of industrial plants, specially for air treatment (fumes, odours and dust abatment) and water treatment (wastewater treatment, desalination plants, potable water treatment for bottling).



Quality certified

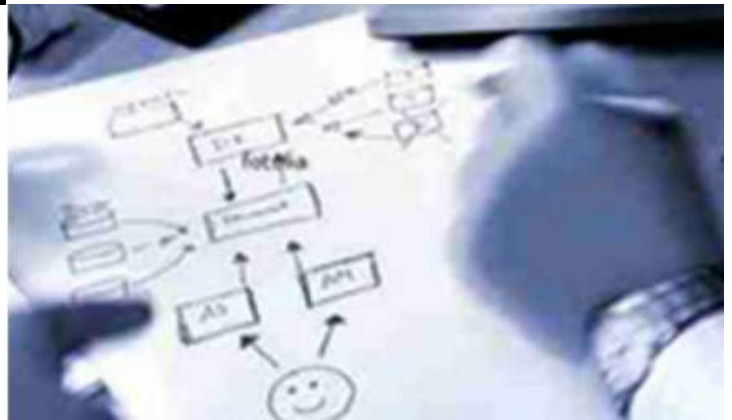
The quality politics, that has guided since nowadays Giacomazzo Agostino Srl, permits to guarantee the Customer an affordable, flexible and reliable operating system.

The continuous updating in the designing and fabrication aspects, is achieved by qualified technicians that ensure the compliance to the world's best qualification and guarantee to the Customer plants and services proportioned to the requests, with qualitative top manufacture, granted safety and respectful of the international standards (PED verification, ATEX protocols, etc.).

OUR SERVICES

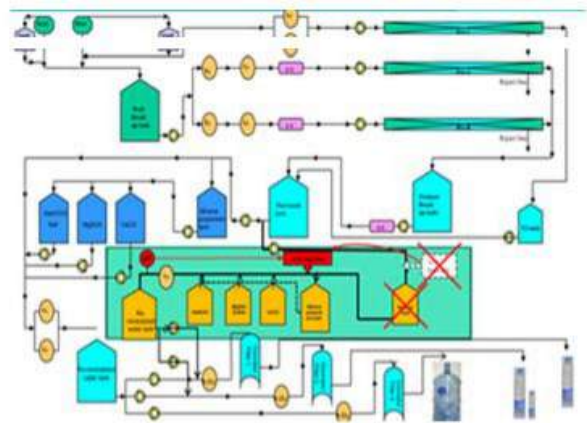
PRELIMINARY DESIGN

- Analysis of the technical aspects
- Feasibility evaluation
- Budgetary and dedicated offer



PROCESS STUDY

- Preliminary definition of the process flux
- Technical definition of the equipments
- Schematization of the proposal



BASE AND DETAIL ENGINEERING

- Engineering planning
- Packages design
- Design for fabrication and transportation



MECHANICAL AND ELECTRICAL FABRICATION

- Equipments fabrication
- Non Destructive tests
- Quality certification



JOB MANAGEMENT

- Fabrication planning
- Equipment planning and erection
- On-site coordination

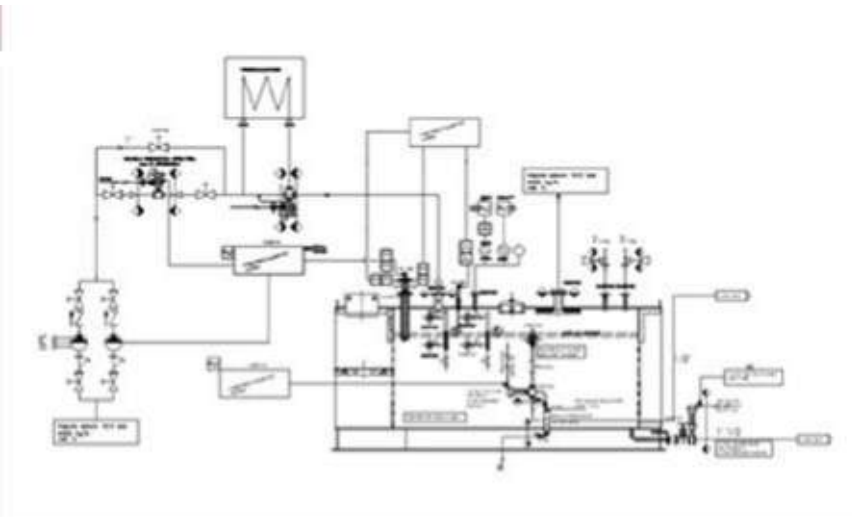


TURN-KEY PLANTS

- Management of the Job
- Packages design
- Fabrication, mounting and plants start-up



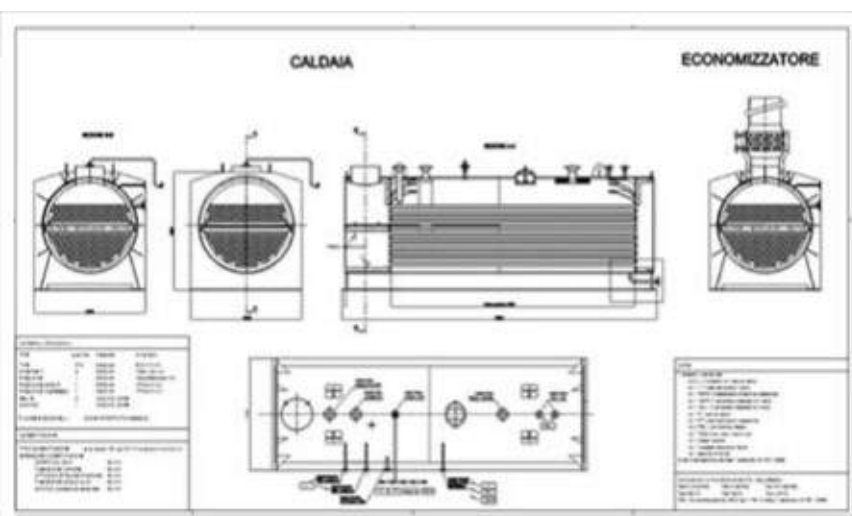
PLANT DESIGN AND FABRICATION



FLOW DIAGRAM OF STEAM GENERATOR PACKAGE WITH ECONOMIZER

- Steam generation: 4500Kg/h
- Saturated steam 99,9%
- Design: EN 12952

DETAIL ENGINEERING



STEAM GENERATOR AND ECONOMIZER DESIGN DRAWING

- Materials: S355GH
- PED certified
- Ø 2.000 mm, L 6.000 mm

The range of our tanks varies and is diversified by shapes and dimensions depending on the field of use. We are able to provide our clients with storage tanks, vertical silos for the following fields of work; industrial, agricultural and alimentary. Furthermore, we provide a range of horizontal tanks meant for the chemical and pharmaceutical fields. Our tanks operate with pressure and vacuum tested by PED. These are products in diverse materials, from carbon coated steel and a series of Aisi alloys as well as the Duplex and the Super Duplex.

HORIZONTAL AUTOCLAVE for PMMA crystallization process with fully automated opening, closing and extraction internal carriage.

- Material: Stainless Steel 304
- PED certified



TANK OF CONTAINMENT CHEMICAL PRODUCT

- Material: P355NH
- PED certified



TANKS

VERTICAL SILOS



VAPOR RECOVERY TANK

- Material: P355NH
- PED certified



CARPENTRY

- Metal structural works
- Metal works
- Steel frames



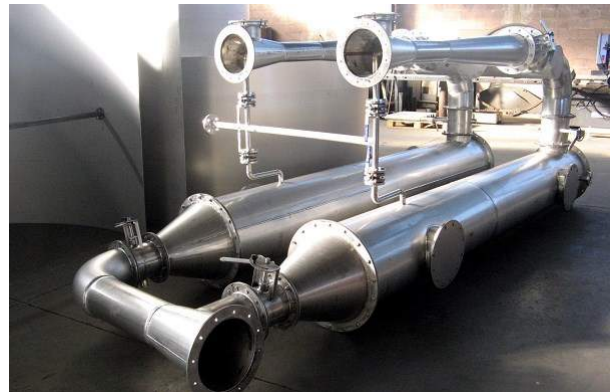
FILTERS

- Scrubber
- Active Carbon filters
- Dry filters



TUBULAR SYSTEMS

- Industrial systems
- Water purification systems
- Air purification systems



BARRIERS

- Sound-adsorbing and Sound-insulating panels



Giacomazzo Agostino Srl will be pleased to receive Your requests and will be glad to offer its services. Our staff will be at Your complete disposal at the following contacts.

WHERE WE ARE



CONTACTS



Via Cao del Mondo, 33
35010
Santa Giustina in Colle
Padova, Italia



Tel: +39 049 9301644



Fax: +39 049 9301644



Skype: agostino.giacomazzo1



Visit our website:
www.giacomazzoagostino.it



info@giacomazzoagostino.it
commerciale@giacomazzoagostino.it