



---

**GIACOMAZZO AGOSTINO SRL**

**INTEGRATED PLANT SOLUTIONS**



---

**SPECIAL FILTERS**



**GIACOMAZZO AGOSTINO** S.R.L.

Integrated plant solutions

Giacomazzo Agostino Srl begins its activity in 1964 as a structural carpentry and pressure vessel fabricator, dedicating principally to special equipments fabrication.

In the last 10 years the company has grown in the design and fabrication of industrial plants, specially for air treatment (fumes, odours and dust abatement) and water treatment (wastewater treatment, desalination plants, potable water treatment for bottling).



## Quality certified

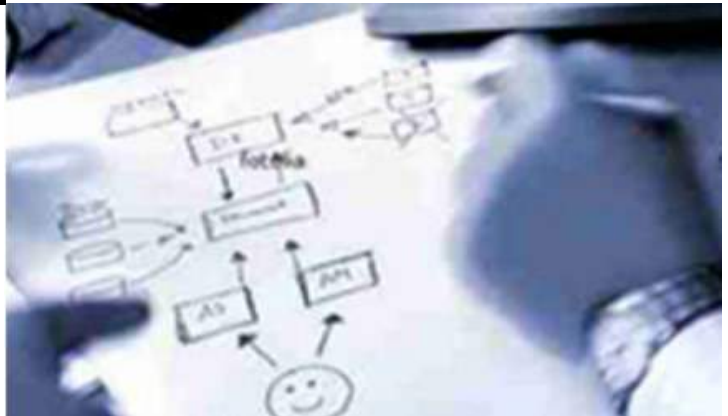
The quality politics, that has guided since nowadays Giacomazzo Agostino Srl, permits to guarantee the Customer an affordable, flexible and reliable operating system.

The continuous updating in the designing and fabrication aspects, is achieved by qualified technicians that ensure the compliance to the world's best qualification and guarantee to the Customer plants and services proportioned to the requests, with qualitative top manufacture, granted safety and respectful of the international standards (PED verification, ATEX protocols, etc.).

# OUR SERVICES

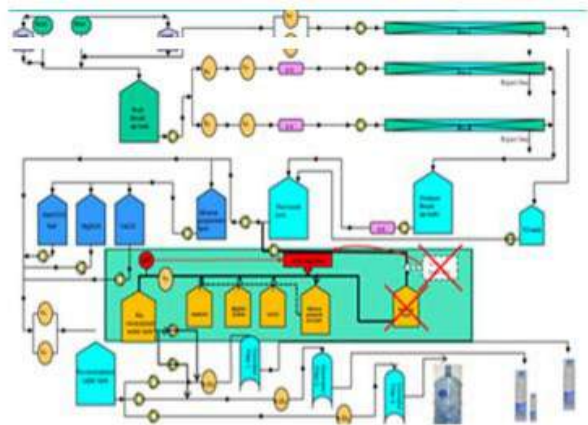
## PRELIMINARY DESIGN

- Analysis of the technical aspects
- Feasibility evaluation
- Budgetary and dedicated offer



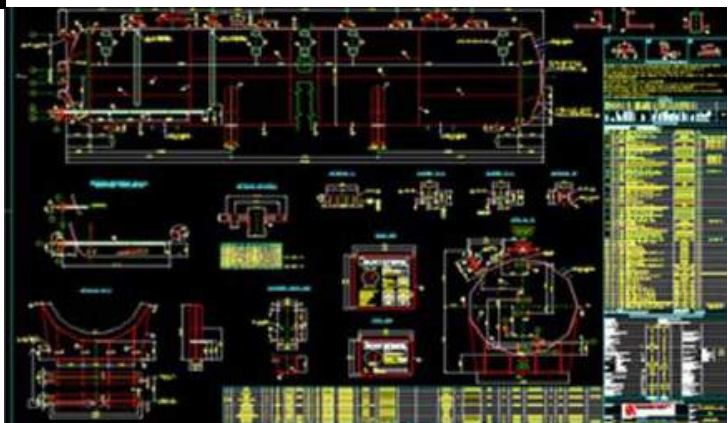
## PROCESS STUDY

- Preliminary definition of the process flux
- Technical definition of the equipments
- Schematization of the proposal



## BASE AND DETAIL ENGINEERING

- Engineering planning
- Packages design
- Design for fabrication and transportation



## MECHANICAL AND ELECTRICAL FABRICATION

- Equipments fabrication
- Non Destructive tests
- Quality certification



## JOB MANAGEMENT

- Fabrication planning
- Equipment planning and erection
- On-site coordination

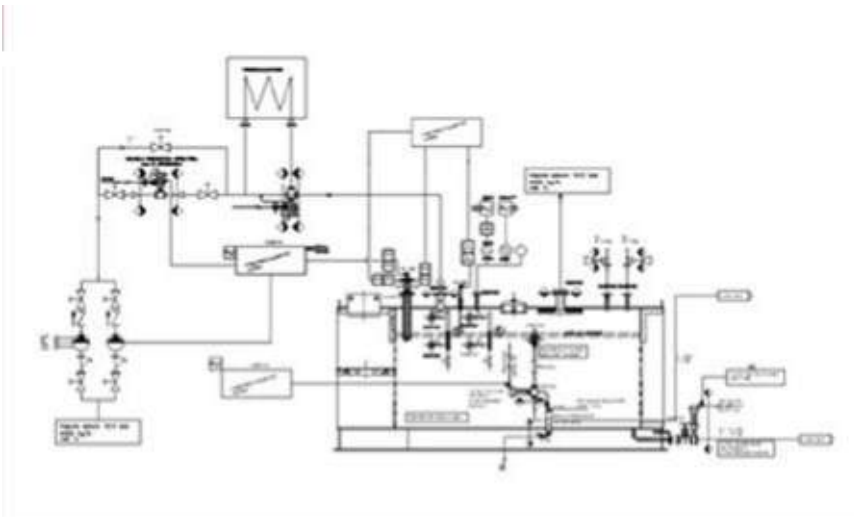


## TURN-KEY PLANTS

- Management of the Job
- Packages design
- Fabrication, mounting and plants start-up



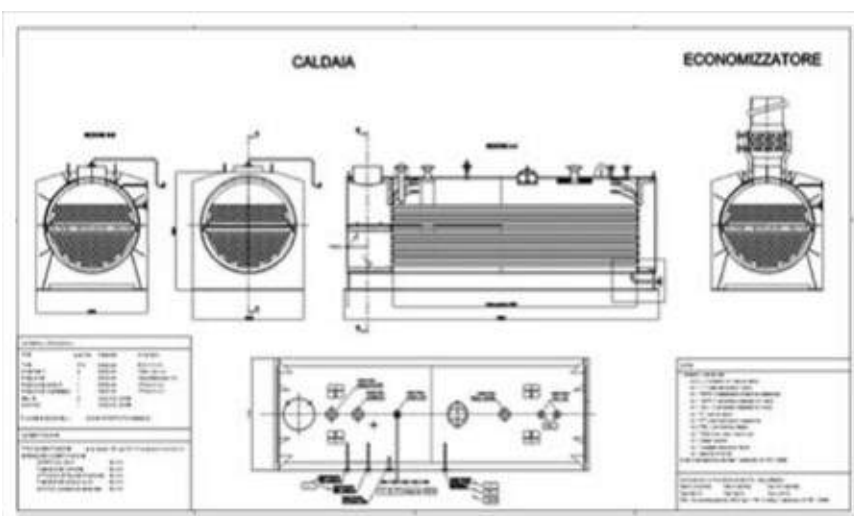
## PLANT DESIGN AND FABRICATION



### FLOW DIAGRAM OF STEAM GENERATOR PACKAGE WITH ECONOMIZER

- Steam generation: 4500Kg/h
- Saturated steam 99,9%
- Design: EN 12952

## DETAIL ENGINEERING



### STEAM GENERATOR AND ECONOMIZER DESIGN DRAWING

#### DRAWING

- Materials: S355GH
- PED certified
- Ø 2.000 mm, L 6.000 mm



For years we have been in charge of dealing with the purification of water and air, with specific fixtures brought by research in accordance with the needs of the industry. We are able to satisfy numerous requests, always up to date with the regulatory norms and industrial certifications such as PED and ATEX. We build Scrubber implants, active carbon filters, mechanical filters and combined dejection systems, and more on we produce modern and efficient dejection systems meant for smoke, dust and odor.

### BAG FILTERS

- Material: AISI 316
- PED certified
- Dimensions: Ø 5.000mm,  
L 18.000mm,  
Weight: 24.000 Kg



### ACTIVE CARBON FILTER

External structure in galvanized tubular.

- Material: Stainless steel 304
- Dimensions: L 8.000mm,  
P 2.500mm,  
H 3.500mm



# SPECIAL FILTERS

## VENTURI SCRUBBER

- Material: Duplex
- Dimensions: Ø 3.500mm,  
L 8.000mm,  
Weight 5.500 Kg



## CYCLON WITH COOLING JACKET

- Materials: Duplex and SuperDuplex
- PED certified
- Dimensions: Ø 1.200mm,  
L 6.000mm,  
Weight 2.000 Kg



## TOWER SCRUBBER

- Material: AISI 316
- Scrubber Dimensions:  
Ø 2.500mm,  
L 7.500mm,  
Weight 4.500 Kg
- Tower Dimensions:  
Ø 800mm,  
L 32.000mm,  
Weight 25.000 Kg



## SCRUBBER TOWER

- Material:  
Stainless steel 304
- Dimensions:  
Ø 2.500mm,  
L 11.500mm



## ACTIVE CARBON FILTER

With internal perforated metal sheet panels for coals containment and cochlea system for coals extraction.

- Material: Stainless steel 316





# OTHER PRODUCTS

## TANKS

- PED approved tanks
- Pressure tanks
- Steel tanks
- Custom-made tanks



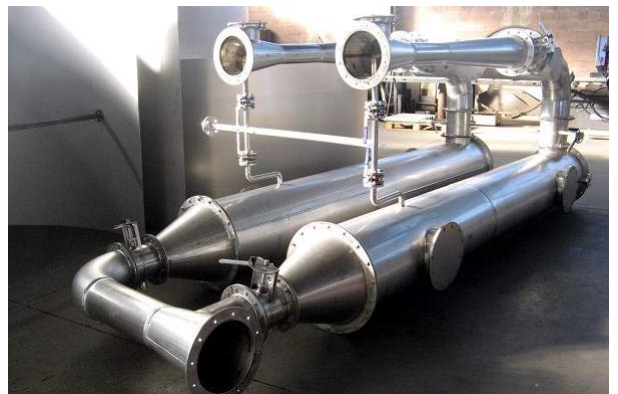
## CARPENTRY

- Metal structural works
- Metal works
- Steel frames



## TUBULAR SYSTEMS

- Industrial systems
- Water purification systems
- Air purification systems



## BARRIERS

- Sound-adsorbing and Sound-insulating panels



Giacomazzo Agostino Srl will be pleased to receive Your requests and will be glad to offer its services. Our staff will be at Your complete disposal at the following contacts.

## WHERE WE ARE



## CONTACTS



Via Cao del Mondo, 33  
35010  
Santa Giustina in Colle  
Padova, Italia



Tel: +39 049 9301644



Fax: +39 049 9301644



Skype: agostino.giacomazzo1



Visit our website  
[www.giacomazzoagostino.it](http://www.giacomazzoagostino.it)



[info@giacomazzoagostino.it](mailto:info@giacomazzoagostino.it)  
[commerciale@giacomazzoagostino.it](mailto:commerciale@giacomazzoagostino.it)